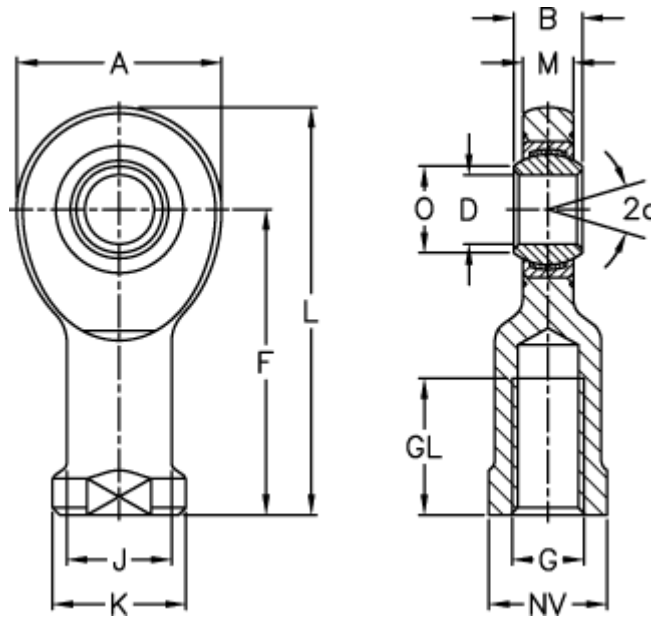


Article number: 03488012
 Description: Fluro Rod end EIL 12D-NIRO
 Note: 12

Measures



A	= 34	J	= 17.5
a (degrees)	= 11	K	= 22
B	= 10	L	= 67
D	= 12	M	= 8
Dynamic drive (kN)	= 14	NV	= 19
F	= 50	O	= 14.9
g	= M12	Static drive kN	= 18
GL	= 22	Weight	= 96